

YZ 型液下泵

TYPE YZ SUBMERGED PUMP

使用说明书

郑州市神龙泵业有限公司
Zhengzhou Shenlong Pumping Co. Ltd..

一、概述

(1) YZ 型液下渣浆泵是立式单级单吸悬臂式离心泵结构，叶轮为半开式叶轮，在叶轮吸入边延伸处设有搅拌叶片。

两系列泵主要用于环保、市政工程、火力发电厂、煤气焦化厂、炼油厂、炼钢厂、采矿、造纸业、水泥厂、食品厂、印染等行业抽吸浓液、稠油、油渣、污浊液、泥浆、灰浆、流砂及城市排污沟道的流动污泥，以及含有煤块，灰渣的液体。也可作为化工、医药等行业抽吸含有泥砂渣物的液体和有腐蚀性液体。YW 型还可抽吸各种人畜粪便污水和大中沼气池，沼气工程时出料使用。

(2) 型号意义：

80YZ80-20A

YZ-液下式渣浆泵

80-泵的出口直径 (mm)

80-泵的设计点流量 (m³/h)

20-泵的设计点扬程 (m)

A-叶轮经第一次切割

(3) 泵的传动方式：泵通过弹性联轴器与电动机连接，从原动机方向看泵为顺时针方向旋转。

二、结构说明

1、YZ 型泵为单吸，单吸悬臂式结构，用轴承座，支承座，联接管连接泵的水力部件，液体由出液管部件排出，泵的叶轮为半开式叶轮，在叶轮叶片进口延伸处设有搅拌叶片，该泵主要特点是在液下部位的泵轴，有足够的刚度，叶轮，泵壳之间不设轴承，不采用轴封，可以输送含有较大浓度固体颗粒的介质。泵插入液下的长度在800-1800之间，如果需要可以配带吸入管。轴封采用液下泵插入液体中运行，不设轴封，传动由立式电动机安装在电机支承和支撑座上，用联轴器与泵相连。

一、General introduction

(1) YZ type submerged pump is single-stage, single-suction vertical cantilever centrifugal pump. The half-open impeller have a stirring blade in suction end.

They can be used for environmental protection, municipal works, fire plant, gasworks, oil refinery, steel mill, mines, papermill, cement-plant, food products factory, printing and dyeing mill and so on. They are suitable for pumping a high concentration liquids or oil, oil slurry, slurry or sewage and etc. They can be used in petrochemical or pharmaceutical industries to pumping corrosive medium or water with contents of sands, YW type pump is suitable to pumping the domestic sewage or the methane-generating pits for slag off.

(2) the meaning of pump type as following

YZ: submerged slurry pump

80: outlet diameter (mm)

80: design-capacity (m³/h)

20: design head (m) llowing

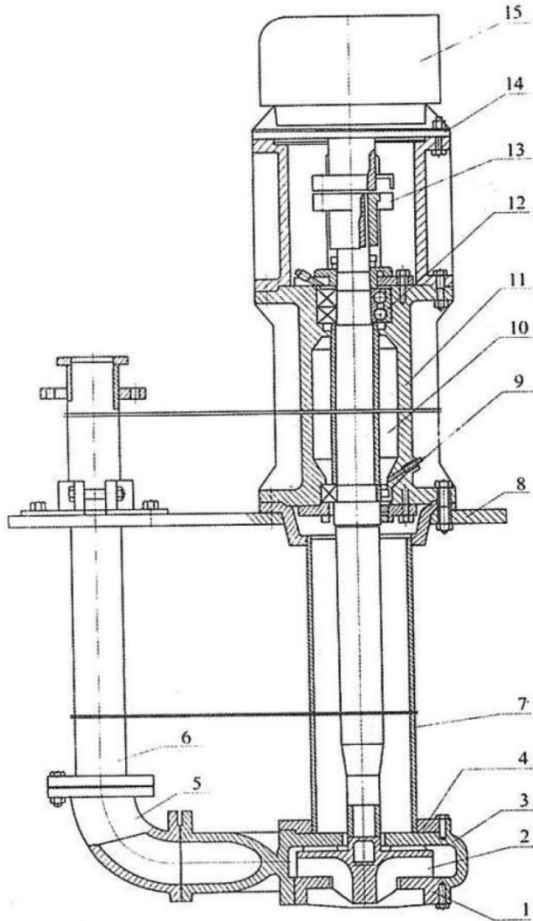
A: firstcutting impeller diameter

(3) running direction of pump:

The pump is connected a motor or other driver with a elastic coupling. The running direction of pump is clockwise reviewing from the

二、construction introduction

1、YZ type pump is single-stage, single-suction vertical cantilever-centrifugal pump. A supporting base plate, a bearing bridge, a connecting pipe are linking with the flowing parts of pump. liquid flow from the outlet pipe. The half-open impeller have a stirring blade in suction end. The mainly performance of the pump is the submerged shaft being a enough strength steel. Between of the casing and the impeller are not used a bearing or sealing, SO, can be pumping a liquids with some sands in. With inlet pipe, the shaft of pump that it is working in below liquids is long between from 800mm to 1800mm. The motor having a motor bridge on the supporting base plate is link-with pump with a couplings.



1. 吸入盖 suction cover
2. 叶轮 impeller
3. 泵体 casing
4. 泵盖 casing cover
5. 出液弯头 outlet elbow
6. 出液管 outlet pipe
7. 连接管 connecting pipe
8. 支承座 supporting base plate
9. 轴承 bearing
10. 轴 shaft
11. 轴承座 bearing bridge
12. 轴承 bearing
13. 联轴器部件 coupling
14. 电机支承 motor bridge
15. 电机 motor

YZ 型液下泵结构

AA-最低液面值

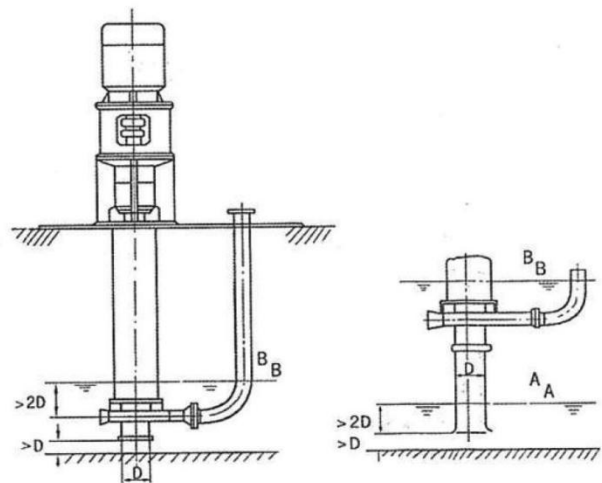
The lower position of the liquid level when the pump is working.

BB-启动时液面的最低值

The liquid level is lower than rated when start the pump.

D-吸入管直径

diameter of inler pipe.



三、YZ型液下渣浆泵性能表

三、Type YZ performance table

型号Model	流量 Capacity		扬程 Head(m)	转速 Speed (r/min)	效率 Eff(%)	配用电动机 Motor	
	m ³ /h	L/S				型号 Model	功率 Power(KW)
50YZ25-12	12	3.3	13.5	1430	37.3	Y100L2-4	3
	25	6.9	12		39.5		
	30	8.3	11		38.2		
	7	1.9	5.5	910	37.3	Y90L-6	1.1
	15	4.2	4.8		39.5		
	19	5.3	4.4		38.2		
50YZ25-12A	11	3	9.3	1430	36.8	Y100L1-4	2.2
	23	6.3	8.1		39		
	27	7.5	7.3		37.7		
	7	1.9	3.7	910	36.8	Y90S-6	0.75
	14	3.9	3.3		39		
	17	4.7	2.7		37.7		
50YZ25-12B	10	2.7	7.5	1430	26.3	Y100L1-4	2.2
	21	5.8	7.2		28.5		
	25	6.9	5.9		37.2		
	6	1.7	3	910	26.3	Y90S-6	0.75
	13	3.6	2.9		28.5		
	15	4.2	2.4		37.2		
50YZ30-20	18	5	21.5	1440	32.4	Y132S-4	5.5
	30	8.33	20		43.4		
	36	10	19		45.4		
	11.8	3.28	9.2	940	32.4	Y100L-6	1.5
	19.6	5.44	8.5		43.4		
	23.5	6.53	8.1		45.4		
50YZ30-20A	16.5	4.58	18.4	1440	31	Y132S-4	5.5
	28	7.78	17		43		
	33	9.17	16		45		
	10.8	3	7.8	940	31	Y100L-6	1.5
	18.3	5.08	7.2		43		
	21.5	5.97	6.8		45		
50YZ30-20B	15	4.17	15.5	1440	30.5	Y112M-4	4
	25	6.94	14.4		42.6		
	31	8.61	13.7		44.5		
	9.8	2.72	6.6	940	30.5	Y90L-6	1.1
	16.3	4.53	6.1		42.6		
	20.2	5.61	5.8		44.5		
50YZ30-30	18	5	31.5	1460	27.4	Y160M-4	11
	30	8.33	30		36.4		
	36	10	28		37		
	11.8	3.28	13.6	910	27.4	Y132L-6	3
	19.6	5.44	12.97		36.4		
	23.5	6.53	12.1		37		

三、YZ型液下渣浆泵性能表

三、Type YZ performance table

型号Model	流量 Capacity		扬程 Head(m)	转速 Speed (r/min)	效率 Eff(%)	配用电机 Motor	
	m ³ /h	L/S				型号 Model	功率 Power(KW)
50YZ30-30A	16	4.44	25.7	1460	26.5	Y132M-4	7.5
	27	7.5	24.5		35.6		
	33	9.17	22.8		36		
	10	2.78	10	910	26.5	Y112M-6	2.2
	16.8	4.67	9.5		35.6		
	20.5	5.69	9		36		
50YZ36-50	18	5	53	1470	28	Y180L-4	22
	36	10	50		34		
	45	12.5	48		36		
	11	3.1	23	960	28	Y160M-6	7.5
	23	6.4	21		34		
	29	8.1	20		36		
50YZ36-50A	16	4.4	44	1470	27	Y180M-4	18.5
	33	9.2	42		33		
	41	11.4	40		35		
	10	2.8	18	960	27	Y132M ₂ -6	5.5
	21	5.8	17.5		33		
	26	7.2	17		35		
50YZ36-50B	15	4.2	37	1460	26	Y160L-4	15
	30	8.3	35		33		
	37	10.3	33.6		34		
	9	2.5	15.5	960	26	Y132M ₂ -6	5.5
	19	5.3	15		33		
	24	6.7	14		34		
65YZ50-12	30	8.3	13.2	1440	47.7	Y132S-4	5.5
	50	12.8	12		55.9		
	60	16.6	10.8		55.7		
	19	5.3	5.5	940	47.7	Y112M-6	2.2
	32	8.9	5		55.9		
	39	10.3	4.5		55.7		
65YZ50-12A	28	7.7	11.9	1440	47.2	Y132S-4	5.5
	48	13.3	10.8		55.4		
	57	15.8	9.7		55.2		
	18	5	5	940	47.2	Y100L-6	1.5
	31	8.6	4.5		55.4		
	37	10.3	4		55.2		
65YZ50-12B	26	7	10.7	1440	46.8	Y112M-4	4
	45	12.5	9.7		54.9		
	54	15	8.7		54.7		
	16	4.4	4.5	940	46.8	Y100L-6	1.5
	29	8.1	4		54.9		
	35	9.7	3.5		54.7		

三、YZ型液下渣浆泵性能表

三、Type YZ performance table

型号 Model	流量 Capacity		扬程 Head(m)	转速 Speed (r/min)	效率 Eff(%)	配用电动机 Motor	
	m ³ /h	L/S				型号 Model	功率 Power(KW)
80YZ5-32	30	8.3	36	1460	30	Y160L-4	15
	45	12.5	32		35.3		
	55	15.3	30		37.5		
	20	5.6	15.5	960	30	Y132M2-6	5.5
	30	8.3	13.8		35.3		
	36	10	12.8		37.5		
80YZ80-20	48	13.3	22	1460	45	Y160M-4	11
	80	22.2	21		55		
	96	26.7	18.5		53		
	31	8.6	9.5	960	45	Y132M1-6	4
	52	14.4	9		55		
	63	17.5	8		53		
80YZ80-20A	44	12.2	18.6	1460	43	Y160M-4	11
	73	20.3	17.5		53		
	90	25	15.6		51		
	28	7.8	8	960	43	Y132M1-6	4
	48	13.3	7.5		53		
	59	16.4	6.5		51		
80YZ80-20B	39	10.8	16	1460	43	Y132M-4	7.5
	68	18.9	15		53		
	80	22.2	13.4		51		
	25	6.9	6.9	960	43	Y132S-6	3
	44	12.2	6.5		53		
	52	14.4	5.8		51		
100YZ100-30	60	16.7	36	1470	41	Y180L-4	22
	100	27.8	31		54		
	120	33.3	28		56		
	39	10.8	15.5	970	41	Y160M-6	7.5
	65	18.1	13.5		54		
	79	21.9	10		56		
100YZ100-30A	75	20.8	30	1470	39	Y180M-4	18.5
	92	25.6	26		52.5		
	110	30.6	24		54		
	48	13.3	12.8	960	39	Y132M2-6	5.5
	60	16.7	11		52.5		
	71	19.7	12		54		
100YZ100-30B	50	13.9	25	1460	38	Y160L-4	15
	85	23.6	22		52		
	102	28.3	20		53		
	32	8.9	10.8	960	39	Y132M2-6	5.5
	55	15.3	9		52		
	67	18.6	8		53		

三、YZ型液下渣浆泵性能表

三、Type YZ performance table

型号Model	流量 Capacity		扬程 Head(m)	转速 Speed (r/min)	效率 Eff(%)	配用电机 Motor	
	m ³ /h	L/S				型号 Model	功率 Power(KW)
100YZ100-40	50	13.9	44	1470	40.2	Y200L-4	30
	100	27.8	40		57.5		
	120	33.3	38		58.8		
	32	8.9	19	970	40.2	Y160L-6	11
	65	18.1	17		57.5		
	79	21.9	16		58.8		
100YZ120-60	72	20	61	1480	38	Y250M-4	55
	120	33	60		50.5		
	144	40	56		52		
	47	13.1	26	970	38	Y200L ₁ -6	18.5
	78	21.7	25		50.5		
	94	26.1	24		52		
100YZ120-60A	65	18	50	1480	36.5	Y225M-4	45
	108	30	49		49		
	130	36.4	16		50		
	42	11.7	21.5	970	36.5	Y180L-6	15
	70	19.4	21		49		
	85	23.6	16.8		50		
100YZ120-60B	59	16.4	41	1480	35.5	Y200L-4	30
	98	27.2	40		48		
	118	32.8	37		49		
	38	10.5	17.5	970	35.5	Y160L-6	11
	64	17.8	17		48		
	77	21.4	15.5		49		
100YZ160-38	96	26.7	45	1480	43.8	Y225M-4	45
	160	44.4	39		52		
	192	53.3	36		50.6		
	62	17.2	19	970	43.8	Y180L-6	15
	104	28.9	16.5		52		
	125	34.7	15		50.6		
100YZ160-38A	88	24.4	38	1480	42.8	Y225S-4	37
	148	41.1	33		51		
	177	49.2	30		49.5		
	57	15.8	16	970	42.8	Y160L-6	11
	97	26.9	14		51		
	116	32.2	12.5		49.5		
100YZ160-38B	82	22.8	33	1480	43	Y200L-4	30
	137	38.1	28		52		
	164	45.6	26		50		
	53	14.7	14	970	43	Y160L-6	11
	89	24.7	12		52		
	107	29.7	11		50		

三、YZ型液下渣浆泵性能表

三、Type YZ performance table

型号Model	流量 Capacity		扬程 Head(m)	转速Speed (r/min)	效率 Eff(%)	配用电机 Motor	
	m ³ /h	L/S				型号 Model	功率 Power(KW)
150YZ250-40	150	41.7	44	1480	44	Y250M-4	55
	250	69.4	40		51		
	300	83.3	38		52		
	90	27.2	18	970	44	Y250L1-6	18.5
	163	45.3	17		51		
	196	54.4	16		52		
150YZ250-40A	135	37.5	35	1480	43	Y225M-4	45
	225	62.5	32		50		
	270	75	30		51		
	88	24.4	15	970	43	Y180L-6	15
	147	40.8	13.5		50		
	176	48.9	12.5		51		
150YZ250-40B	120	33.3	28	1480	43	Y225S-4	37
	200	55.6	25		49		
	240	66.7	24		50		
	78	21.7	12	970	43	Y160L-6	11
	131	36.4	10.5		49		
	157	43.6	10		50		
150YZ280-20	168	46.7	21	980	47	Y250M-6	37
	280	77.8	20		62		
	336	93.3	16.5		57		
	125	34.7	11.2	730	47	Y225S-8	18.5
	208	57.8	11		62		
	250	69.4	9		57		
150YZ280-20A	154	42.8	18	980	46	Y225M-6	30
	258	71.7	17		61		
	310	86.1	14		56		
	114	31.7	9.5	730	46	Y200L-8	15
	192	53.3	9		61		
	230	63.9	7		56		
150YZ280-20B	142	39.4	15	980	45	Y200L2-6	22
	237	65.8	14		60		
	285	79.2	11		55		
	105	29.2	8	730	45	Y180L-8	11
	176	48.9	7		60		
	212	58.8	6		55		
150YZ360-60	240	66.7	64	1480	53.3	Y315M-4	132
	360	100	60		63.8		
	420	116.7	58		66		
	160	44.4	28	980	53.5	Y280M-6	45
	240	66.7	26		63.8		
	280	77.8	25		66		

三、YZ型液下渣浆泵性能表

三、Type YZ performance table

型号 Model	流量 Capacity		扬程 Head(m)	转速 Speed (r/min)	效率 Eff(%)	配用电动机 Motor	
	m ³ /h	L/S				型号 Model	功率 Power(KW)
200YZ460-35	276	76.7	38	1480	59	Y280M-4	90
	460	127.8	35		69		
	552	153.3	33		64		
	182	50.6	16.5	980	59	Y225M-6	30
	304	84.4	15		69		
	365	101.4	14		64		
200YZ460-35A	255	70.8	32.5	1480	58	Y280S-4	75
	426	118.3	30		67		
	511	141.9	28.3		63		
	167	46.4	14	970	58	Y200L2-6	22
	279	77.5	12.5		67		
	334	92.8	11.5		63		
200YZ460-35B	235	65.3	27.5	1480	57	Y250M-4	55
	391	108.6	25		66		
	470	130.6	23.8		62		
	154	42.8	11.5	970	57	Y200L1-6	18.5
	256	71.1	10.5		66		
	308	85.6	10		62		
200YZ500-20	300	83.3	23	980	62	Y280M-6	55
	500	138.9	20		71		
	600	166.7	18		67		
	223	61.9	12	730	62	Y250S-6	30
	372	103.3	11		71		
	446	123.9	9		67		
200YZ500-20A	278	77.2	19.7	980	61	Y280S-6	46
	463	128.6	17		69		
	555	154.2	15.4		65		
	207	57.5	10	730	61	Y225M-8	22
	344	95.6	9		69		
	413	114.7	8		65		
250YZ600-25	360	100	28	1480	63	Y280M-4	90
	600	166.7	25		72		
	720	200	20		67		
	238	66.1	12	980	63	Y225M-6	30
	397	110.3	11		72		
	477	132.5	8.8		67		

四、装配与拆卸

1、YA 型液下泵装配顺序

- (1) 将轴承分别装在轴承盒和轴承座上。
 - (2) 将毛毡圈装在轴承端盖甲、丙和轴承盒上。
 - (3) 将轴承端盖乙、丙装在轴承座上并用螺栓紧固。
 - (4) 将装好轴承的轴承盒穿在轴上，拧上圆螺母，并将轴承端盖甲紧固再轴承盒上。
 - (5) 将轴装入轴承座，用螺栓固定，拧上调整螺钉，并将轴承座安装再支承座上，将挡水圈套在下部轴承处的合适位置。
 - (6) 将接管固定再轴承座上，并再接管下部装上泵盖，在轴下部装上叶轮并拧紧，依次装上泵体前盖，并用螺栓固定，用轴承盒处的调整螺钉调整叶轮与前盖间的间隙，(控制在 1~1.5mm 内) 调好后用螺母，螺栓紧固。
 - (7) 电机支承安装在轴承上用螺栓紧固，在轴的上端装联轴器部件，并将电机联轴器用紧固螺钉紧固在电机轴头上，将电机装在电机支承上，并用螺栓，螺母紧固。
 - (8) 从泵的出口顺序将石棉垫、出液弯头、出液管部件装上，并固定在支承座上。
- 泵的拆卸，按上述相反步骤进行。

五、安装

- 1、安装前的准备工作：
 - a、检查水泵和电机有无损坏；
 - b、准备工具及起重设备；
 - c、按图检查基础；
- 2、将泵的支撑座安装在容器上，用螺栓拧紧（如系水泥井罐需预先设置地脚螺栓）。

六、启动与停止

- 1、观察泵的安装基础是否已经稳固，所有各部件螺栓是否拧紧。
- 2、检查泵轴向间隙是否已经调整好（扳动联轴器无摩擦声即可）。
- 3、油标注入钙基黄油。
- 4、检查电机旋转方向是否正确。
- 5、启动电机，打开压力表旋塞，当泵以全转数工作时，调节闸阀开度到需要范围。
- 6、泵停止工作时，应先停止电动机，然后闭上压力表旋塞。
- 7、泵长期停止运行时，应将泵拆开，擦拭干净，涂上防锈油妥善保存。

四、Assemble or take apart

1、Assemble of YZ type submerged pump

- (1) put the bearings on the bearing body and on the bearing base.
- (2) put the felt washers on the A and B of bearing cover and on the bearing body.
- (3) put the C and D of the bearing cover on the bearing base, with bolts make them fast.
- (4) Set the bearing body into the shaft, screw on the nuts, load the A bearing cover on the bearing body and make them fast.
- (5) Install the shaft into the bearing base, with bolts firm. twist the adjusting screw on. fit the bearing base on the supporting plate. load the water-proof ring into the normal position of the below end of the bearing.
- (6) Fit the connection pipe on the bearing base together. load the casing cover on the lower end of the connecting pipe, set the impeller on the lower end of the submerged shaft and screw them tightly, assemble the pump casing and the front cover and tighten a screw, using the adjusting screw of on the bearing body, to adjusting the clearance from 1mm to 1.5mm between the impeller and the front cover, after that, screw them tightly.
- (7) Put the motor bridge on the bearing base, make them fast, install the coupling on the upper of the shaft, load the motor coupling on the motor, set the motor on the motor bridge, with screw making fast.
- (8) Install in order of as: the felt washer, the outlet elbow, the outlet pipe units on the pump, then, firm them on the supporting plate. Disassemble pump is opposite as order of assemble.

五、Installation

- 1、Do something before installation:
 - a: check the motor and the pump, ensure no damaged.
 - b: Get the installation tools, the hoist ready.
 - c: check the base in the installation position as drawing.
- 2、Put the supporting plate of the pump on the liquid tank and screw them tightly (if cement liquid tank, the base bolts may be used)

六、Start and stop

- 1、check the installation foundation is firm. ensure all the bolts is screw on tightly.
- 2、check the clearance of the pump shaft is OK.
- 3、Fill the grease into the oil cup.
- 4、check the running direction of the motor is right.
- 5、start the motor, open the pressure gauge, when the speed upon the normal condition (max. speed) adjust the gate valve in needing condition.
- 6、Stop order are: first turn off the motor, second close the gate valve.
- 7、The pump is not used for long time, you must keep it in good condition, or you take apart it, clean and dry the parts of pump, make a grease on.

七、运转

- 1、注意泵轴承温度，不应超过外界温度35℃但最高不应大于75℃。
- 2、油杯内应注满钙基黄油，保证轴承能正常润滑。
- 3、泵在工作第一个月内，或运转100小时后，应更换电机支承油杯内的黄油。以后每工作2000小时后更换一次。
- 4、定期检查弹性联轴器，注意电机轴承温升。
- 5、运转过程中，如发现噪声或不寻常的声音时，应立即停车检查。
- 6、泵每工作2000小时应进行周期检查，叶轮泵体（或泵盖）之间间隙的磨损不能过大，间隙的最大值不得超过1.5毫米，如超过可更换叶轮或前盖。

七、Running

- 1、Attention the temperature of bearing, being not more than 35℃ above the ambient temperature.
- 2、check the grease of in the grease cup, ensure lubrication of pump in good condition.
- 3、At fist month of the pump worlling, or working for 100 hour change the grease of the cup with new grease, after that, every 2000 hour change the new grease.
- 4、check the coupling regularly, pay attention for the temperature of the motor bearing.
- 5、When in working condition, you hear any noise from the pump or the motor, turn off the power and check It.
- 6、The time of check cycle is 2000 hour, The clearance is not more than 1.5mm between the impeller and the pump front cover. beyond this gap, change the impeller or the front cover.

八、可能发生的故障及其解决方法

八、Troubles and remedies

故障 Trouble	原因 Causes	解决方法 Remedies
水泵不出水，压力表指针剧烈跳动 No suction, indicators of the press gauge and the vacuum gauge oscillating ygorously	1、进水口被淤塞 2、管路及仪表漏气 1、The suction hole clogged 2、The pipe and the gauge is air leakage	1、排出淤塞物 2、拧紧或堵塞漏气处 1、clean out debris 2、check and remove the leakage element
水泵不出水 No suction	1、泵进水口高于液面 2、旋转方向不对 1、The liquid level of the inlet hole of the pump is up than the rated suction liquid level. 2、running direction is wrong.	1、增高液面或下降泵的安装高度。 2、检查电机转向 1、up the liquid level or down the pump 2、check the run direction.
压力表指示泵出水处有压力，泵仍不出水 No suction when the gauge of outlet pipe have pressure indicates	1、出水管阻太大 2、叶轮淤塞 3、转数不足 1、Excessive resistamce of the outle pipe 2、The impeller clogged 3、The running speed of the pump is low	1、检查管路 2、清洗叶轮 3、增加泵的转数 1、check the pipe 2、clean the impeller 3、increas speed of the pump

八、可能发生的故障及其解决方法

八、Troubles and remedies

故障 Trouble	原因 Causes	解决方法 Remedies
流量过低 Delivery low than rated	1、水泵淤塞 2、转数不足 3、叶轮磨损过大 1、 pump clogged 2、 speed is low 3、 Excessive wear of the impeller	1、清洗泵及管路 2、增加转数 3、更换叶轮 1、 clean the pump and popes 2、 Inrease speed 3、 Change the impeller.
泵消耗功率过大 power is consumed too much	1、泵供水量过小（或全关闭） 2、叶轮磨损 1、 Flow rate is too low(or no water flow out) 2、 Excessive the impeller	1、出口管开启闸阀 2、更换叶轮 1、 Open th gate valve of outlet pipe. 2、 chang the impeller
轴承过热 over heating of the bearing	1、轴承缺油 2、轴承内部有污物或损坏 1、 no lubrication of the bearing 2、 Some duty in bearing damaged	1、增添润滑脂 2、清洗轴承或更换轴承 1、 fill lubricate grease. 2、 clean the bearing or chang it with new one.



郑州市神龙泵业有限公司

ZHENGZHOU SHENLONG SUBMERSIBLE PUMP CO.,LTD

地址：中国·河南·郑州市高新技术开发区冬青街 26 号河南电子商务产业园 6 号楼

邮编：450052

电话：0371-55356761、55356762

传真：0371-55356763

网址：<http://www.hnshenwu.com>

生产基地：荥阳广高公路西段